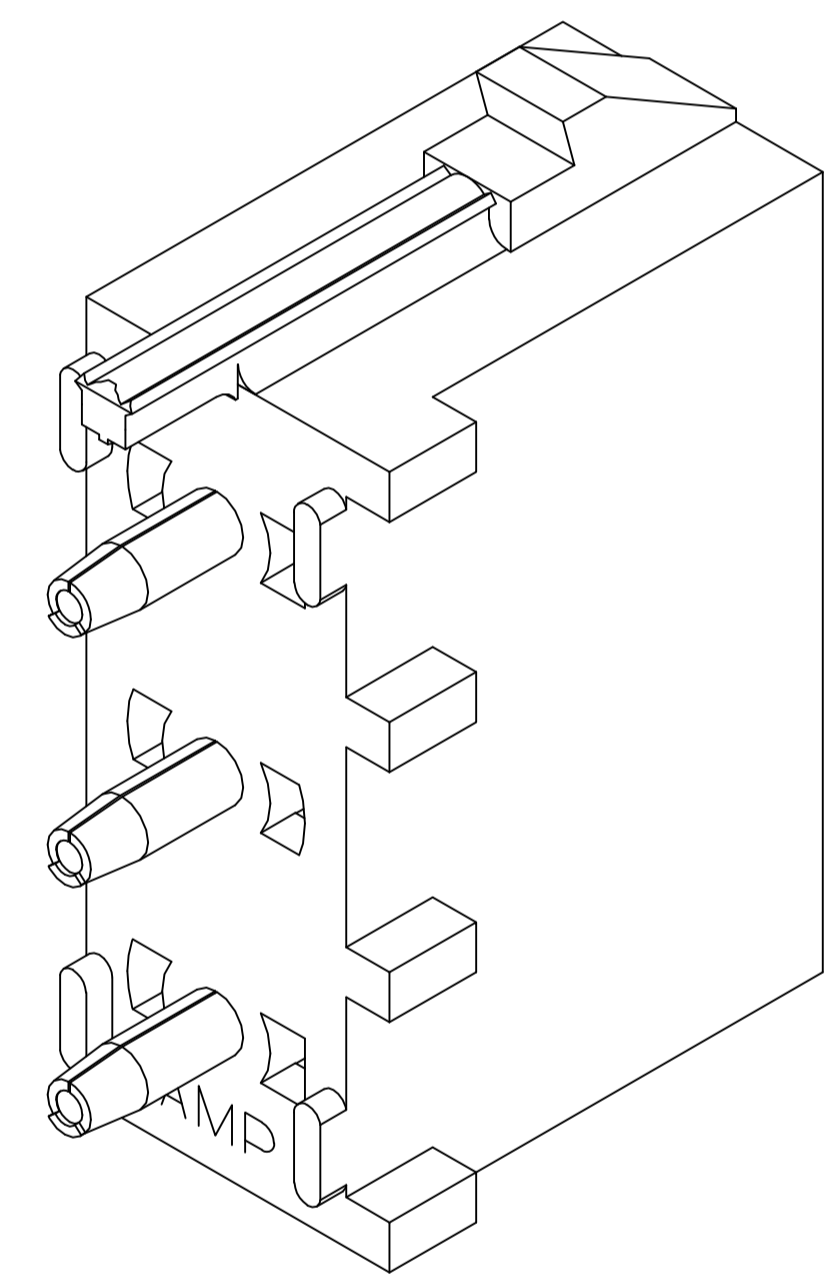
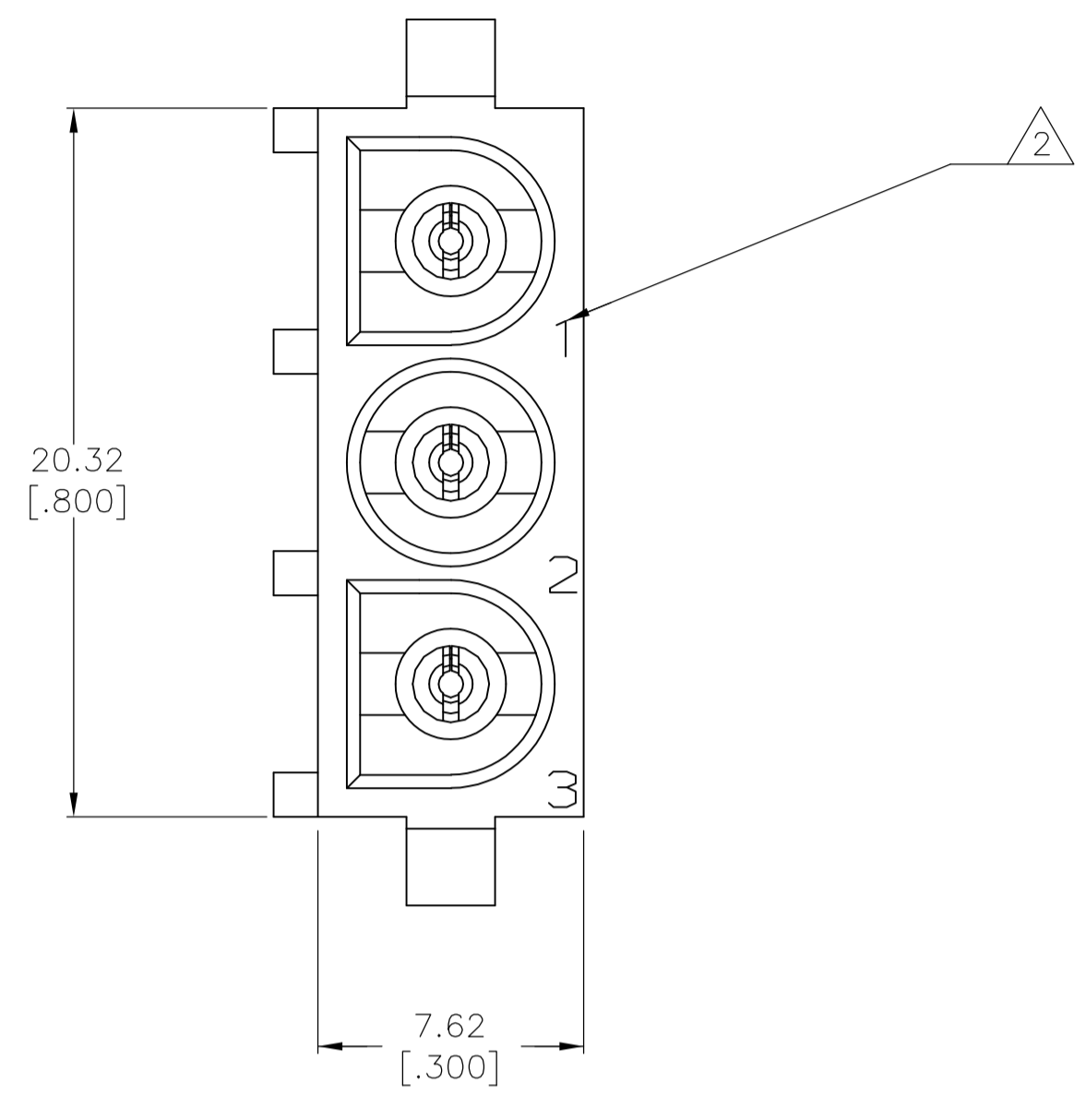
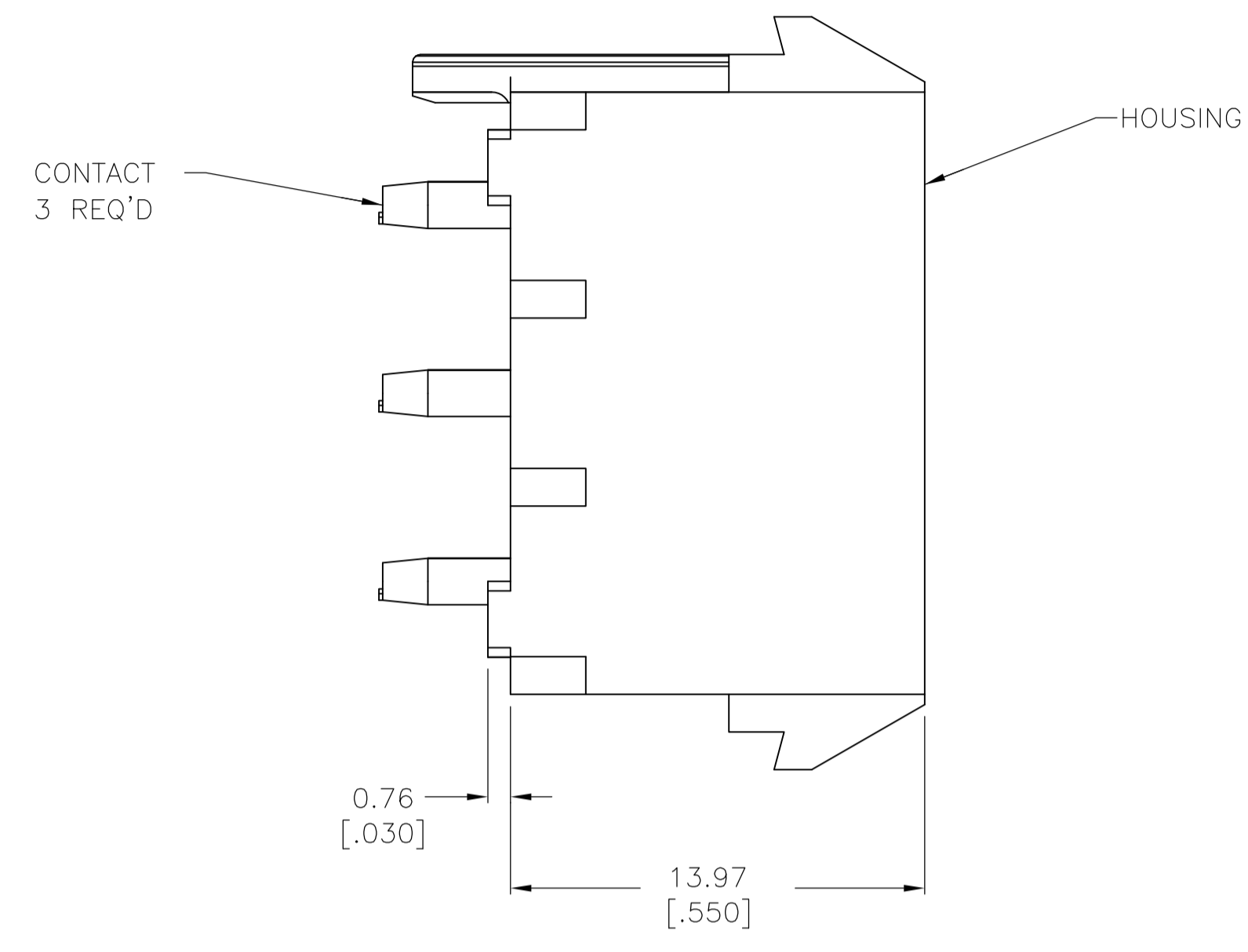
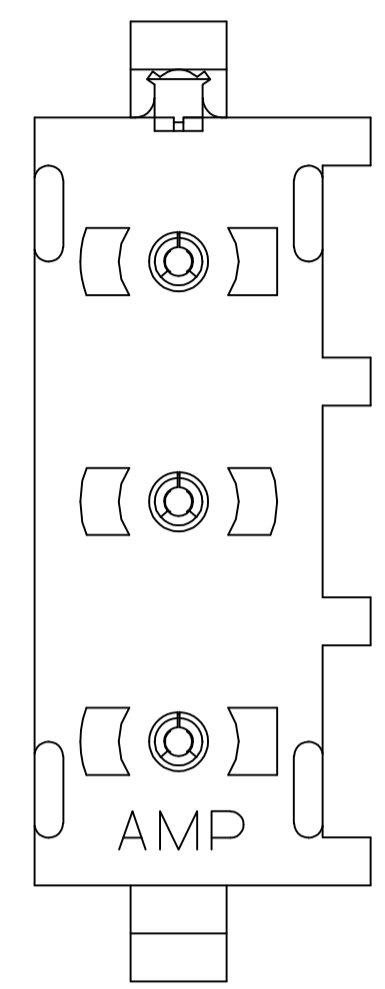
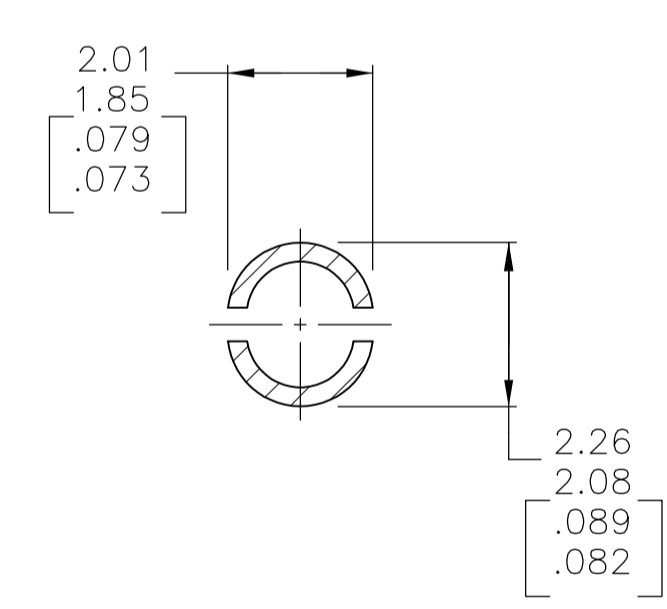
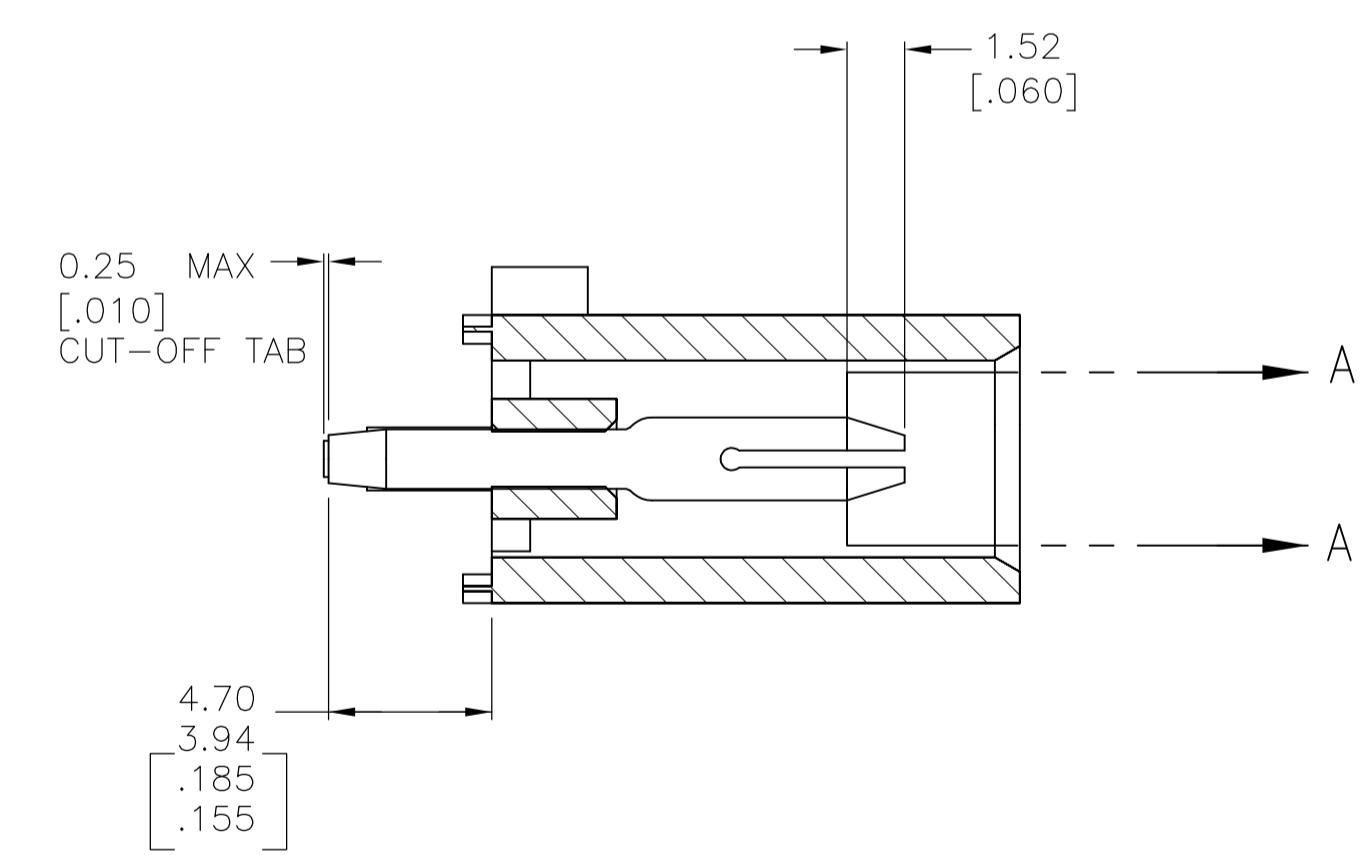


LOC		DIST		REVISIONS			
P	LTR	DESCRIPTION	DATE	DNW	APVD		
P1		REVISED PER ECR-16-001123	29JAN2016	BW	EW		

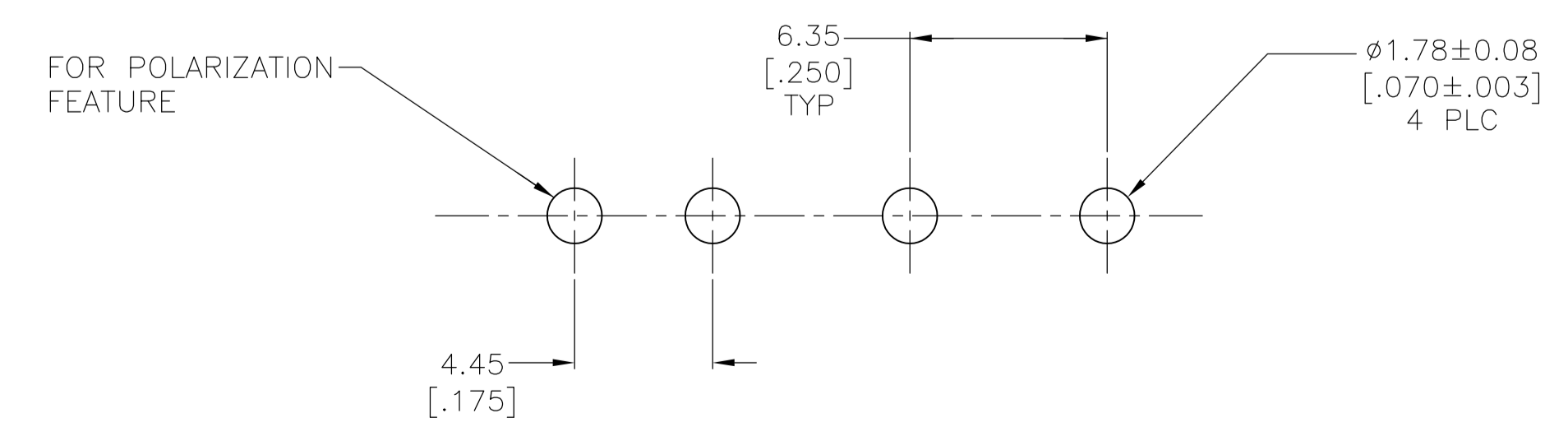
- 1 PARTS COMPLY TO AMP SOLDERABILITY SPECIFICATION 109-11-3.
- 2 CIRCUIT IDENTIFICATION CHARACTERS ARE ADJACENT TO THE INDICATED CAVITIES, BUT LOCATION AND ORIENTATION MAY DIFFER FROM PRINT.
- 3 DIMENSIONS IN BRACKETS ARE IN INCHES.



3-DIMENSIONAL MODEL
NTS



SECTION A-A
SCALE 10:1



RECOMMENDED MOUNTING HOLE PATTERN
FOR 1.57 [.062] THICK P.C. BOARD

PHOSPHOR BRONZE, GOLD	NYLON, UL94V-0, WHITE	641966-3
PHOSPHOR BRONZE, PRE-TIN	NYLON, UL94V-0, BLACK	1-641966-1
PHOSPHOR BRONZE, PRE-TIN	NYLON, UL94V-0, WHITE	641966-1
PIN CONTACT MATERIAL AND FINISH	HOUSING MATERIAL	PART NUMBER

THIS DRAWING IS A CONTROLLED DOCUMENT.

DIMENSIONS: mm [INCHES]	TOLERANCES UNLESS OTHERWISE SPECIFIED: 0. PLC ± - 1. PLC ± - 2. PLC ± 0.13 [.005] 3. PLC ± - 4. PLC ± - ANGLES ± 0° 30'	DWN L. McEACHIN 07-JAN-2000 CHK K. COBLE 07-JUN-2000 APVD K. COBLE 07-JUN-2000 PRODUCT SPEC APPLICATION SPEC WEIGHT CUSTOMER DRAWING	STE TE Connectivity NAME PIN HEADER ASSEMBLY, POLARIZED, 3 CIRCUIT UNIVERSAL MATE-N-LOK SIZE A1 CAGE CODE 00779 DRAWING NO. 641966 RESTRICTED TO SCALE 5:1 SHEET 1 OF 1 REV P1
----------------------------	---	--	--